



<b>Name</b>	<b>Atmospheric foam agent tank</b>
<b>Description</b>	<b>Fixed foam system device</b>
<b>Manufacturer</b>	<b>TYCO</b>
<b>Revision</b>	<b>1.0/2024</b>

## ASK ABOUT THE PRODUCT

### 1. Description

Tank made of polyethylene, prepared for storing foam agent.

### 2. Application

Atmospheric foam tank is used in fixed pump foam systems. Ideal for use with **MI** aspirators as well as foam agent proportioners for **PP** and **PPW** pumps.

### 3. Technical details

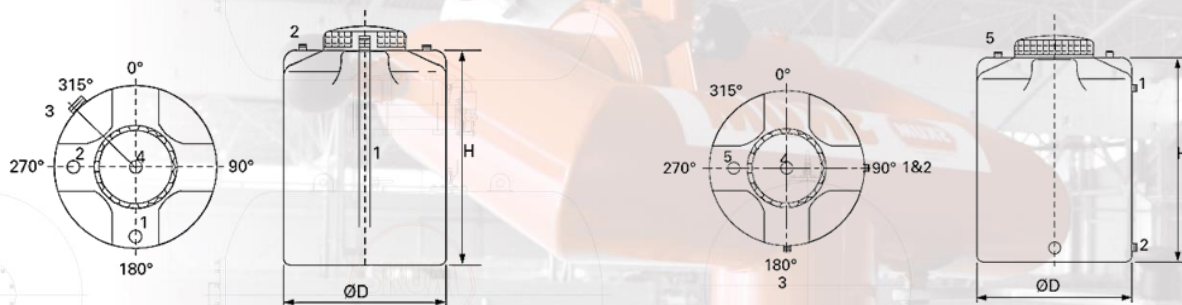
- ❖ **Materials:**
  - Corpus: clear polyethylene
  - Corpus valves: stainless steel

### 4. Approvals

- Manufacturer's Declaration of Conformity

### 5. Project informations

Gravity foam agent tank with accessories					
Tank cooperating with the foam agent aspirator [A]	Tank cooperating with the foam agent pump [B]	Capacity [l]	Diameter D [mm]	Height H [mm]	Weight [kg]
CVC2IND	CVC2PMP	215	595	875	7
CVC3IND	CVC3PMP	310	675	995	10
CVC5IND	CVC5PMP	565	840	1240	13
CVC6IND	CVC6PMP	600	885	1105	15
CVC8IND	CVC8PMP	810	890	1435	22
CVC10IND	CVC10PMP	1000	990	1445	30
CVC15IND	CVC15PMP	1475	1110	1720	40
CVC20IND	CVC20PMP	2050	1210	1990	53
CVC25IND	CVC25PMP	2370	1310	2040	65
CVC31IND	CVC31PMP	3050	1380	2550	78
CVC35IND	CVC35PMP	3550	2250	1315	95
CVC39IND	CVC39PMP	4015	1670	2290	110
CVC50IND	CVC50PMP	5050	1580	2820	145
CVC55IND	CVC55PMP	5650	2250	1790	165
CVC60IND	CVC60PMP	6350	2000	2415	190
CVC65IND	CVC65PMP	7100	2350	2135	195
CVC71IND	CVC71PMP	7190	2250	2200	200
CVC80IND	CVC80PMP	8200	2100	3045	250
CVC99IND	CVC99PMP	10000	2100	3710	320



- 1 Aspiration pipe and threaded screw connector
- 2 Connector and cap [DN15]
- 3 Drain valve [DN25]
- 4 Open vent [DN25]

- 1 Ball valve [DN50]
- 2 Inlet [DN50]
- 3 Drain valve [DN25]
- 4 Connector and cap [DN25]
- 5 Air vent